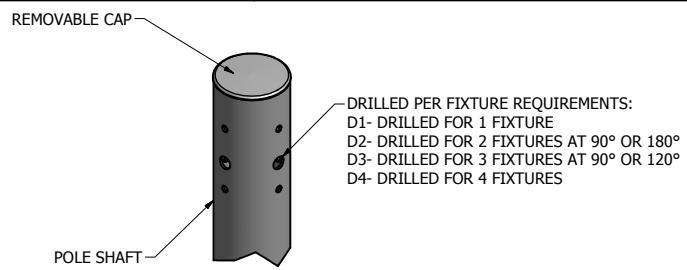
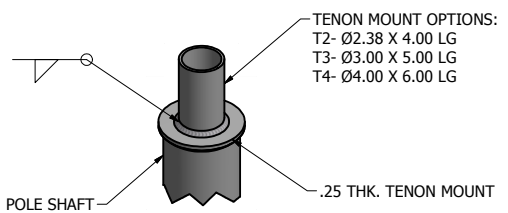


| POLE SHAFT SPECIFICATIONS | | | | | |
|----------------------------------|-----------------------|--------------------------|--------------------|-----------------|---------|
| NO. | COMPONENT | ASTM DESIGNATION | MIN. YIELD (P.S.I) | | |
| 1. | POLE SHAFT | A-500 GR. B | 46,000 | | |
| 2. | BASE PLATE | A36 | 36,000 | | |
| 3. | ANCHOR BOLTS | F1554 GR. 55 | 55,000 | | |
| 4. | GALVANIZED HARDWARE | A153 | - | | |
| POLE DIMENSIONS | | | | | |
| POLE HGT. (FT.) | TOP DIA. (IN.) | BOTTOM DIA. (IN.) | GAGE | MTG. HGT. (FT.) | |
| 16' | 4.00 | 4.00 | 11 GAGE | 16' | |
| BASE PLATE DIMENSIONS | | | | | |
| BOLT CIRCLE (IN.) | BASE PLATE DIM. (IN.) | BOLT HOLE (IN.) | PLATE THK. (IN.) | | |
| 8.00-9.00 | 8.00 SQ | 1.00 | .75 | | |
| ANCHOR BOLT DIMENSIONS | | | | | |
| ANCHOR BOLT DIA. (IN.) | | ANCHOR BOLT LENGTH (IN.) | | | |
| .75 | | 20.00 | | | |
| ALLOWABLE WIND LOADING (SQ. FT.) | | | | | |
| WIND* | INDICATED EPA | 80 MPH | 90 MPH | 100 MPH | 120 MPH |
| EPA | - | 9.0 | 6.8 | 5.3 | 2.9 |

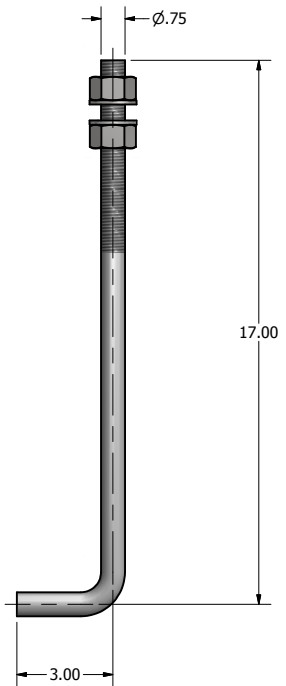
*WITH 1.3 GUST FACTOR



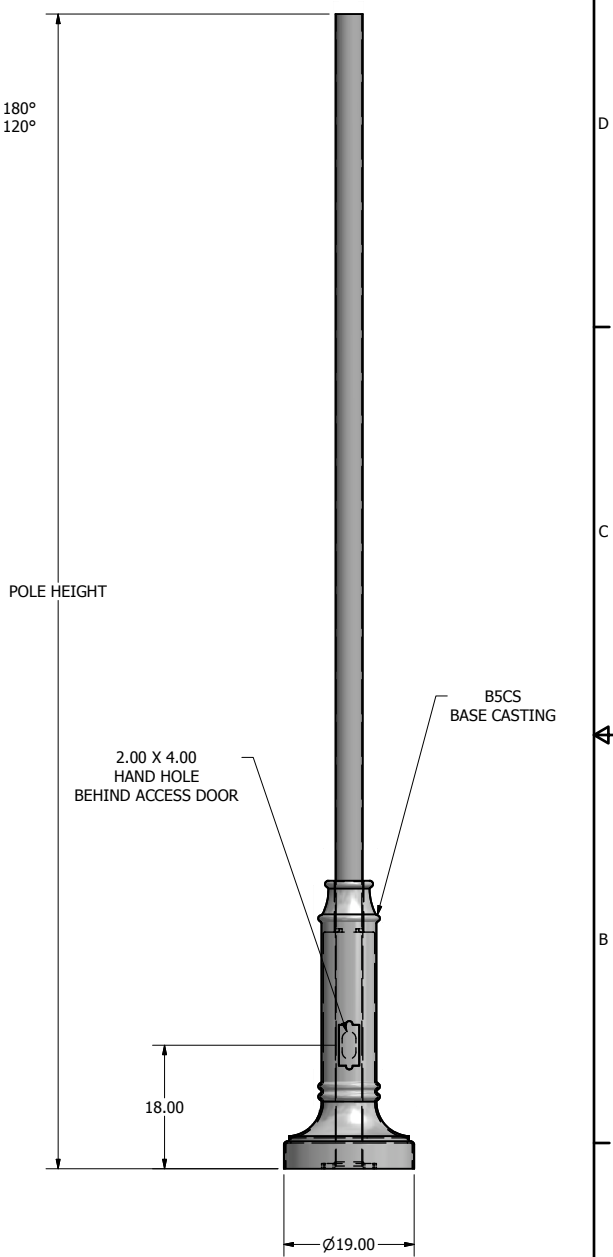
DRILL MOUNT OPTIONS



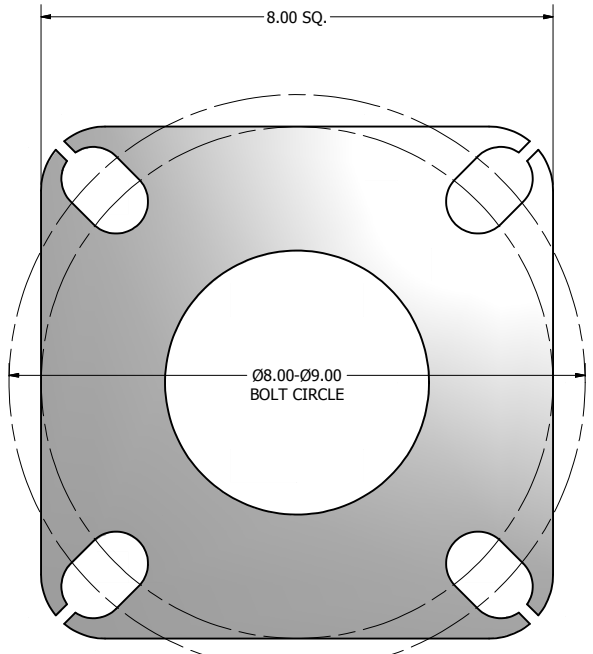
TENON MOUNT OPTIONS



Ø.75 X 20.00 ANCHOR BOLT



POLE DETAIL



8.00 X 8.00 X .75 THK. BASE PLATE



 P.O. Box 340
 Eastpointe, MI 48021
 P: (586) 771-4610 | F: (586) 771-5527
 www.lytepoles.com
a DWM company

| | |
|------------------|-------------|
| DRAWN: L. GRUNIS | 3/17/2015 |
| CHECKED | |
| REVISION: | DATE: |
| APPROVED: | |
| QUOTE: | |
| S.O.# | |
| REF: | SCALE: NONE |

| | | |
|-----------------------------------------------------------------------------------------------------------------------------------------------------------------------------------------------------------------------------------------------------------------------------------------------------------------------------|--------|--------------|
| SOME GEOGRAPHICAL AREAS HAVE SPECIAL WIND CONDITIONS THAT CAN CREATE WIND INDUCED VIBRATIONS CAUSING A FATIGUE PROBLEM. NO METHOD HAS YET BEEN FOUND FOR PREDICTING DESTRUCTIVE LIGHTING POLE VIBRATION. THESE CONDITIONS ARE UNIQUE AND CANNOT BE GUARANTEED AGAINST, AND ARE THE RESPONSIBILITY OF A LOCAL SITE ENGINEER. | | |
| TITLE: | | |
| CATALOG: | | |
| DWG NO: 401-4011-16-B5CS | SIZE C | SHEET 1 OF 1 |

